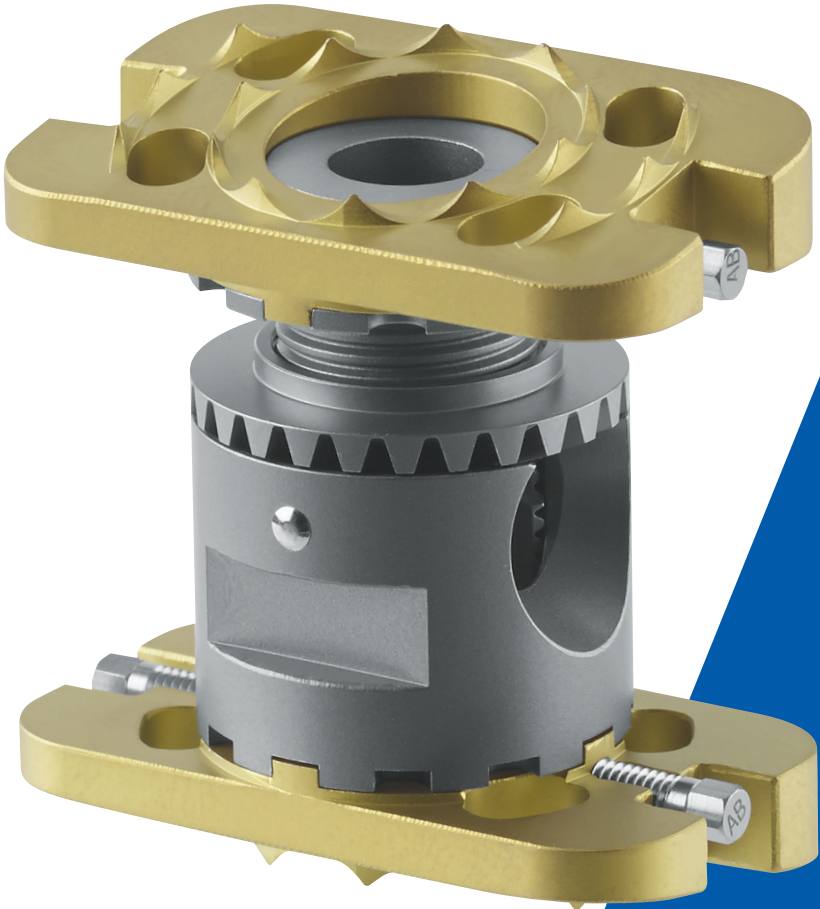


obelisc LE[®]

vertebral body replacement

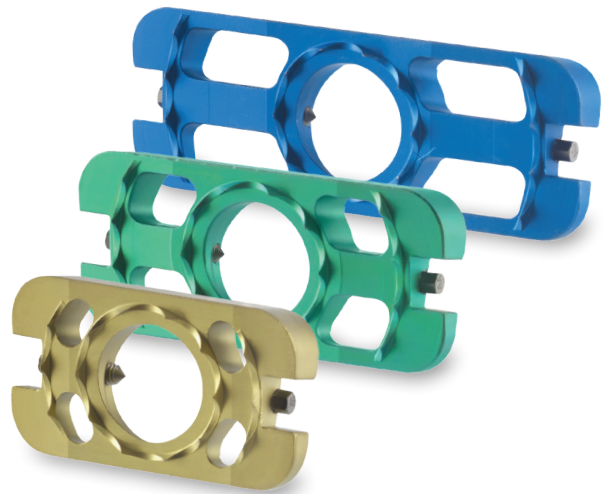


System - Lateral Surgical Approaches

- Vertebral body replacement device for bridging defects and bony voids
- Long end plates to bridge vertebral body to assist with stability
- Thoracic, lumbar - lateral approaches
- obelisc LE uses world-class obelisc instrumentation and expandable cage technology
- Compatible with golden gate® lateral plating system and uCentum® comprehensive posterior system

Color Coded End Plates

Color	Size	Lordosis
blue	20 x 55mm	0°, 5°, 10°, 15°
green	20 x 45mm	0°, 5°, 10°, 15°
yellow	20 x 35mm	0°, 5°, 10°, 15°



Indications

The obelisc vertebral body replacement is intended for use during open surgical procedures in the thoracolumbar spine (T1-L5) to replace a collapsed, damaged, or unstable vertebral body due to tumor or trauma (e.g., fracture).

The obelisc vertebral body replacement is intended to be used with supplemental internal spinal fixation systems that have been labeled for use in the thoracic and lumbar spine (i.e., posterior pedicle screw and rod systems, anterior plate systems, and anterior screw and rod systems).

The use of bone grafting material with the obelisc vertebral body replacement is optional.

Advantages

End Plate Options

- 35, 45, 55mm lengths
- 0, 5, 10 and 15° lordosis options
- Large graft windows for improved fusion
- 1.5mm spikes to minimize migration
- Color coded for ease of use

Exact Height Adjustment

- Low profile distractor
- Continuous expansion in situ with gear driven mechanism
- Unlimited height adjustment options within implant range

Large Rectangular End Plates

- Minimize subsidence
- Improve stability

User Friendly

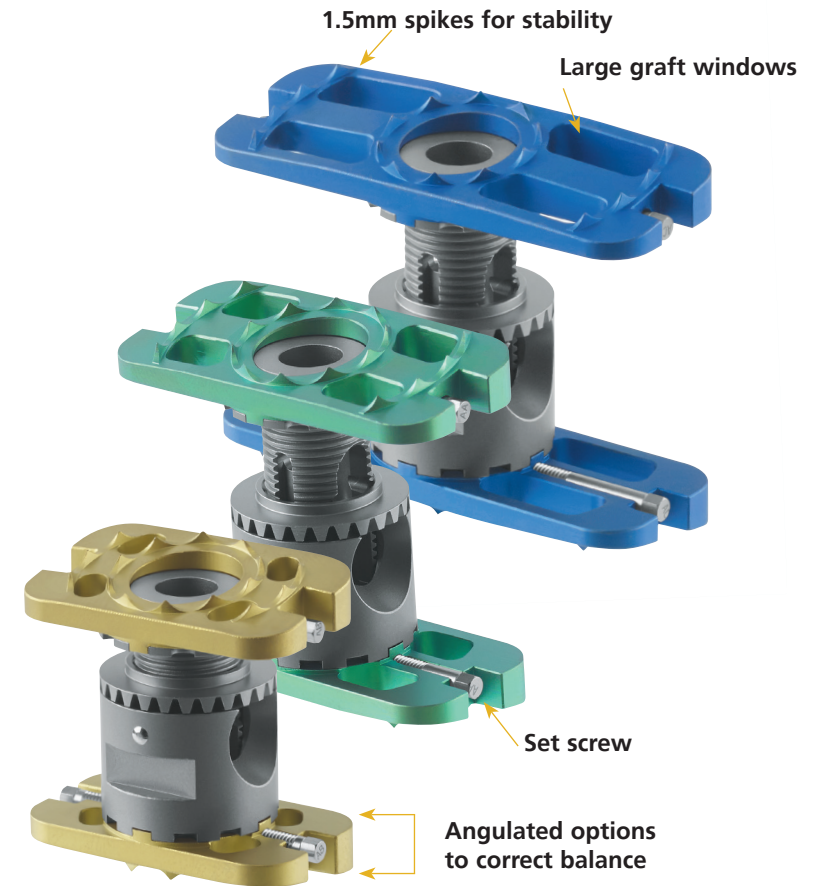
- Easy to use
- Simple to assemble

Adjustable After Assembly

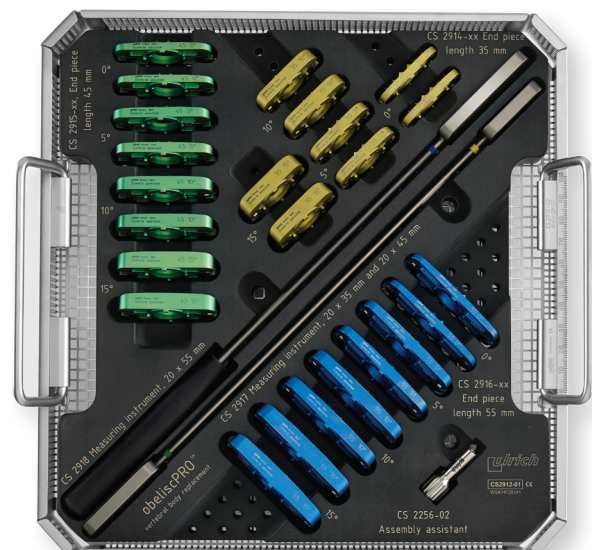
- End plates can be exchanged even after assembly to most accurately match patient anatomy

Trays

- Stand-alone tray
- Intuitive design and easy to use



Completely assembled implants, 3 plate length options





Innovative Spinal Implants

Components

Implant	Height	Angle	Width x Length	Product Number	
obelisc long locking screw				CS 2901	
obelisc short locking screw				CS 2901-01	
obelisc center piece, Ø 20mm	17-23mm			CS 2920-17	
	20-28mm			CS 2920-20	
	23-31mm			CS 2920-23	
	27-38mm			CS 2920-27	
	32-47mm			CS 2920-32	
	40-62mm			CS 2920-40	
	53-87mm			CS 2920-53	
obelisc lateral end plate	76-132mm			CS 2920-76	
		0°	20 x 35mm, yellow	CS 2914-00	
		5°		CS 2914-05	
		10°		CS 2914-10	
		15°		CS 2914-15	
	obelisc lateral end plate		0°	20 x 45mm, green	CS 2915-00
			5°		CS 2915-05
		10°		CS 2915-10	
		15°		CS 2915-15	
obelisc lateral end plate		0°	20 x 55mm, blue	CS 2916-00	
		5°		CS 2916-05	
		10°		CS 2916-10	
		15°		CS 2916-15	
Measuring instrument for lateral end plates			20 x 35mm, 20 x 45mm	CS 2917	
Measuring instrument for lateral end plates			20 x 55mm	CS 2918	
Assist handle				CS 2256-02	



ulrich medical USA | 18221 Edison Avenue, Chesterfield, MO 63005
 Phone: 866.519.0268 | Fax: 636.519.0271
www.ulrichmedicalusa.com | IFU: www.ifu.ulrichmedical.com

