

Omni VBR[®]

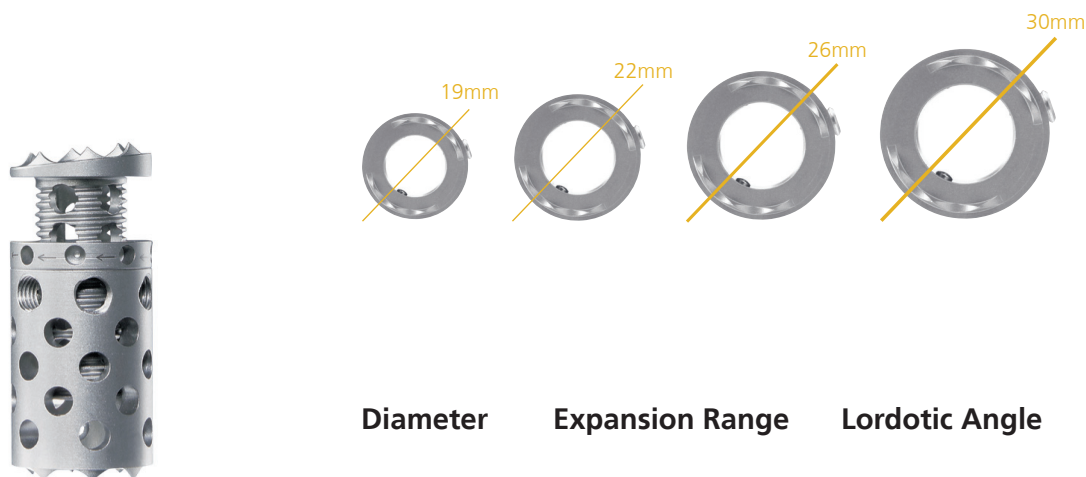
Vertebral Body Replacement



Over a Century
of Innovation

System

The Omni vertebral body replacement (VBR) is used for the surgical reconstruction of defects of the thoracic and lumbar spine (T1 to L5). With only a few basic instruments, a wide range of implants can be used to match patient anatomy and achieve correction.



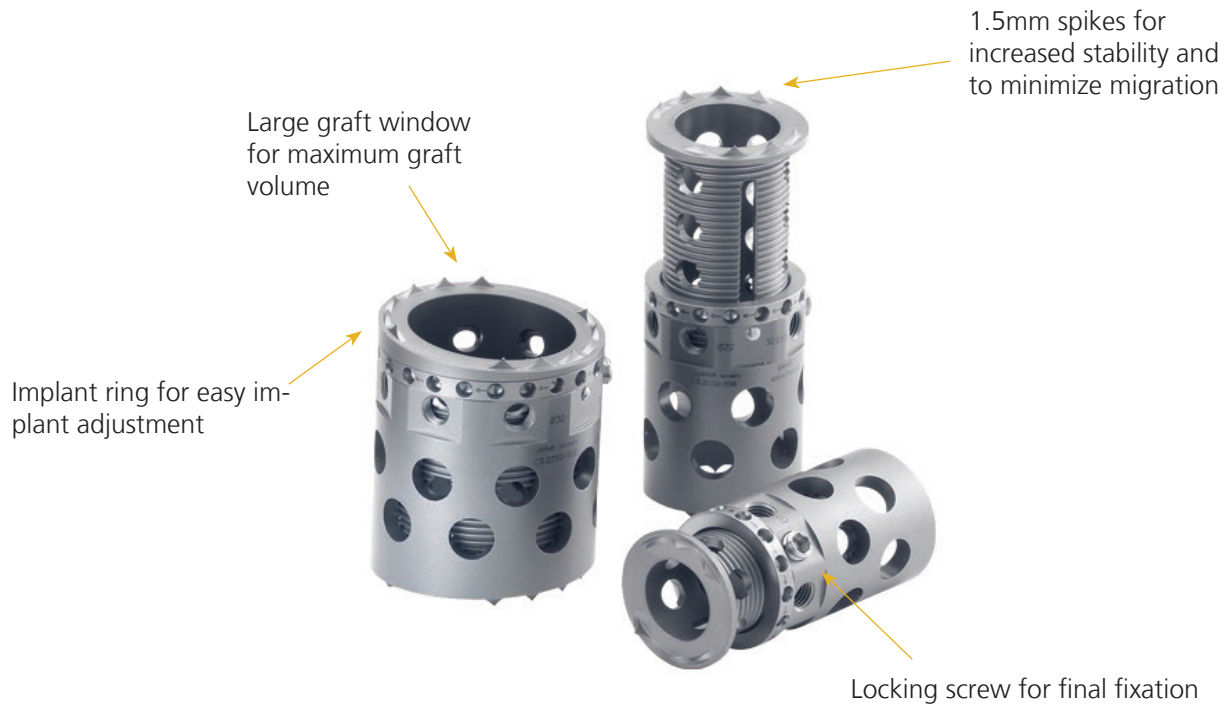
Diameter	Expansion Range	Lordotic Angle
19mm	15 - 80mm	0°, 8°
22mm	19 - 80mm	0°, 8°
26mm	19 - 80mm	0°, 8°, 16°
30mm	32 - 80mm	0°, 8°

Indications

The Omni VBR is a vertebral body replacement device intended for use in the thoracic and lumbar spine (T1-L5) to replace a collapsed, damaged, or unstable vertebral body due to tumor or trauma (i.e., fracture).

The Omni VBR is intended to be used with supplemental internal spinal fixation systems that are cleared by the FDA for use in the thoracic and lumbar spine. Such systems include posterior pedicle screw and rod systems, anterior plate systems and anterior screw and rod systems. The use of bone grafting material with the Omni VBR is optional. For further information see package insert.

Advantages

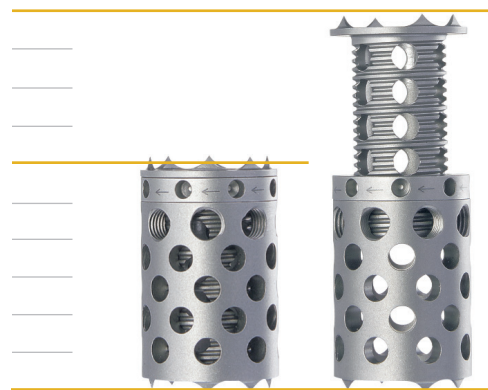


The Omni VBR can be continuously expanded in situ, allowing for easy placement and bridging of the defect. The implant is anchored safely between the adjacent vertebral bodies.

The contact areas are large and fixed with 1.5mm spikes to safely engage the vertebral end plates and anchor the implant. All implants may be filled with bone graft before and after insertion.

Additional application of bone graft outside of the implant may improve fusion.

- Continuous expansion
- Adjustable to match anatomy
- Simple range of instruments
- Four diameters, three angles
- Fillable with bone graft or bone substitute
- Titanium alloy



100,000
Cages

Global Corpectomy Market Leader

Innovative Spinal Implants

Implants	Expansion Range	Angulation	Product Number	Product Number
Omni VBR, Ø 19 mm	15–22 mm	0°	CS 2250-218	CS 2250-19-15
	19–29 mm	0°	CS 2250-222	CS 2250-19-19
	24–38 mm	0°	CS 2250-226	CS 2250-19-24
	32–53 mm	0°	CS 2250-242	CS 2250-19-32
Omni VBR, Ø 22 mm	19–29 mm	0°	CS 2250-310	CS 2250-22-19
	24–38 mm	0°	CS 2250-314	CS 2250-22-24
	32–53 mm	0°	CS 2250-318	CS 2250-22-32
	32–53 mm	8°	CS 2250-338	CS 2250-22-328
Omni VBR, Ø 26 mm	46–80 mm	8°	CS 2250-342	CS 2250-22-468
	19–29 mm	0°	CS 2250-410	CS 2250-26-19
	24–38 mm	0°	CS 2250-414	CS 2250-26-24
	32–53 mm	0°	CS 2250-418	CS 2250-26-32
	19–29 mm	8°	CS 2250-438	CS 2250-26-198
	24–38 mm	8°	CS 2250-442	CS 2250-26-248
	32–53 mm	8°	CS 2250-446	CS 2250-26-328
	46–80 mm	8°	CS 2250-450	CS 2250-26-468
Omni VBR, Ø 30 mm	46–80 mm	16°	CS 2250-462	CS 2250-26-4616
	32–53 mm	0°	CS 2250-510	CS 2250-30-32
	32–53 mm	8°	CS 2250-522	CS 2250-30-328
	46–80 mm	8°	CS 2250-526	CS 2250-30-468
Locking screw			CS 2259-01	

Instruments	Product Number
Measuring template for Omni VBR	CS 2250-930
Lollipop trial Ø 19–22mm	CS 2250-940
Lollipop trial Ø 26–30mm	CS 2250-944
Manual expansion instrument	CS 2252
Insertor for large heights	CS 2255-2
Handle	CS 2256-01
Assist handle	CS 2256-02
Outer shaft	CS 2256-20
Inner shaft	CS 2256-21
Implant releasing rod	CS 2256-22
Screwdriver with holder , hex 2.5mm	CS 2261
Impactor , straight, height 8mm	CS 2274-2
Measuring caliper	CS 5788
19mm disposable cassette head	CS 2256-0-19
22mm disposable cassette head	CS 2256-0-22
26mm disposable cassette head	CS 2256-0-26
30mm disposable cassette head	CS 2256-0-30

